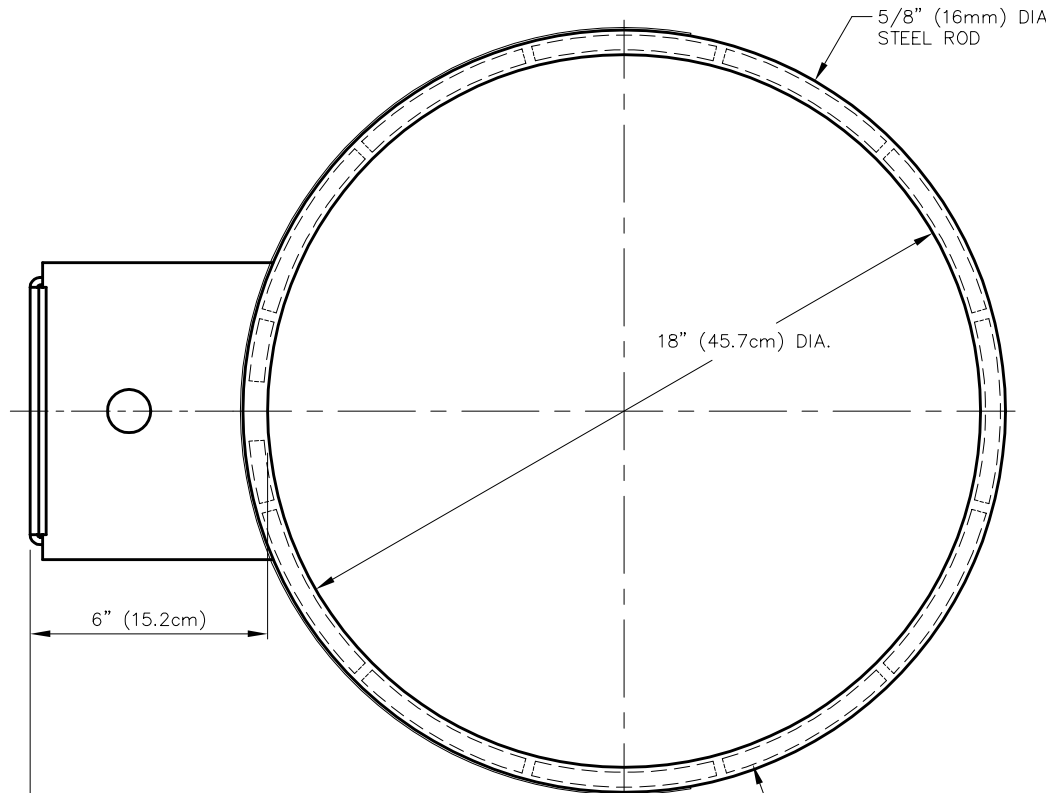


REVISION	DATE	PORTER No.
1	1-1-2004	
2		
3		
4		
5		
6		
7		
8		
9		

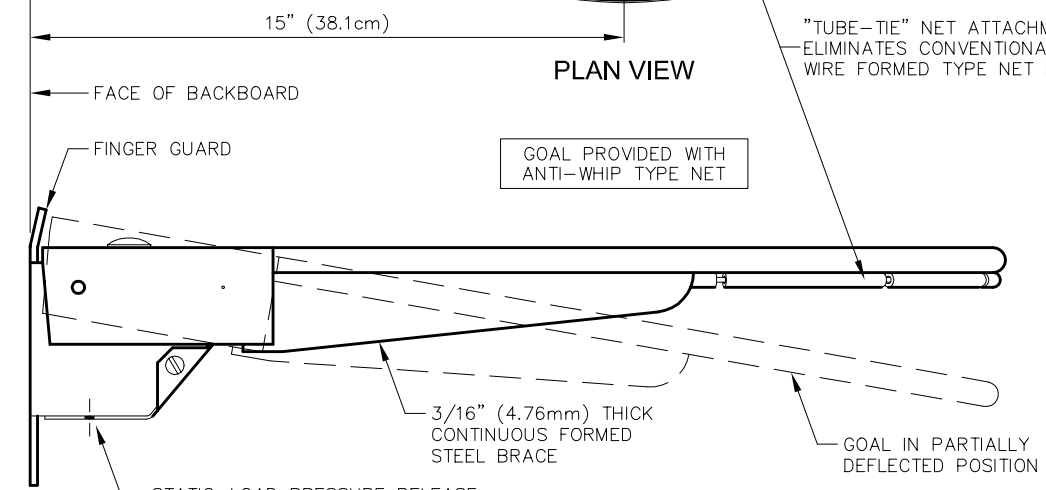
00245-500
ULTRA-FLEX® GOAL
With MOUNTING HARDWARE & ANTI-WHIP NET

PORTER®
 WORLD LEADER
 IN QUALITY SPORTS EQUIPMENT
 2500 S. 25th AVENUE
 BROADVIEW, ILLINOIS 60155
 www.porter-ath.com

DRAWING BY
 RJM
 CHECKED BY
 EAS
 PAGE No.
B-245-5

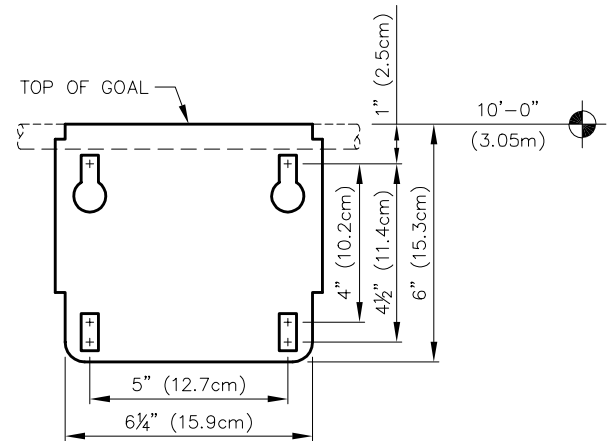


PLAN VIEW



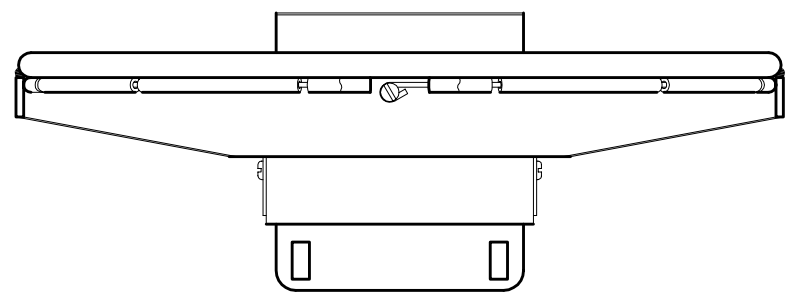
SIDE VIEW

PARTS LIST		
No.	QTY.	DESCRIPTION
1	1	GOAL 00055 007 GOAL ASSEMBLY
2	1	09608 000 ANTI-WHIP NET
3	4	HDWE 02040 0E0 3/8" x 3 1/2" Lg. CARRIAGE BOLT (Grade 5)
4	4	HDWE 05004 0E0 3/8" FLATWASHER
5	4	HDWE 04002 0E0 3/8" LOCKWASHER
6	4	HDWE 03002 0E0 3/8" HEX NUT
7	4	PCAP 00040 002 THREAD PROTECTOR
8	1	ROND 00123 100 NET ATTACHMENT CABLE
9	1	HDWE 06049 0E0 1/4" x 1/2" LG. MACHINE SCREW



GOAL MOUNTING PLATE DETAIL

(VIEW FROM BACKSIDE)
 NOTE - GOAL INSTALLS WITH MOUNTING HARDWARE PROVIDED, WITHOUT REMOVING COVER



FRONT VIEW
 (WITH COVER IN PLACE)

SPECIFICATIONS

PORTER No. 00245-500 ULTRA-FLEX® GOAL **(Positive Lock, Movable Rim)**

Goal shall be designed to absorb shock loads due to slam dunking or hanging on the rim.

Goal shall incorporate a positive lock, pressure release mechanism which is preset to provide rebound characteristics identical to those of a non-movable ring. Static-load pressure release mechanism shall be field-adjustable without removing the cover plate. After release and with the load no longer applied, the ring shall return automatically and instantaneously to the original, playing position.

Rim shall be fabricated from 5/8" diameter cold drawn alloy steel, round formed to an 18" inside diameter ring. Inside diameter of ring shall be positioned 6" from face of backboard by a heavy, formed steel, hinged type housing with a formed steel cover.

Rim shall be rigidly braced by means of a 3/16" thick steel formed and die cut steel brace welded in position on the underside of the rim for maximum support. Rim shall be provided with a unique "tube-tie" net attachment system to eliminate the conventional wire-formed type net locks for additional player safety.

Goal shall be finished in a durable, official orange powder-coat finish. Durable, anti-whip type net and attachment hardware included. Goal may be easily mounted to a backboard/direct mount system with a special slotted mounting system without removing the housing cover.

Goal to be provided with standard mounting centers for attachment to any 3'-6" x 6' rectangular backboard.

Goal is furnished with a limited 2-year warranty.