



GARED SPORTS MODEL LXP4200 (942)

STEEL FRAME 72" X 42" RECTANGULAR GLASS BACKBOARD

The LXP4200 backboard shall be fabricated with steel frame constructed of formed steel angles, former and fastened together and connected with heavy gauge steel mounting plates to reinforce corners. The lower horizontal frame section shall have a tubular steel support brace for added strength. Manufacturer of backboard shall have over ten years of experience producing such item. Backboard shall meet NCAA and high school requirements.

Entire frame and components shall be powder coated with a durable neutral gray finish. Acrylic cushioning pad shall be used between steel mounting plate and glass to protect board against possible breakage.

Glass shall be ½" in thickness and fully tempered with white target lines permanently fused onto the surface. Vinyl shock absorbing material insulates the glass from the frame. Goal mounting holes shall be on standard 5" horizontal and 4" vertical centers.

ACCESSORIES

RCOMMENDED GOAL(S)

Breakaway with positive lock mechanism, 2000+ Collegiate (806)

Regular breakaway, 1000 Scholastic (829)


Regular Stationary, 39WO Institutional (801)

Heavy duty Stationary, 240 Super Goal (845)

BANK PADDING

See accessories section in Gared Sports specification manual.

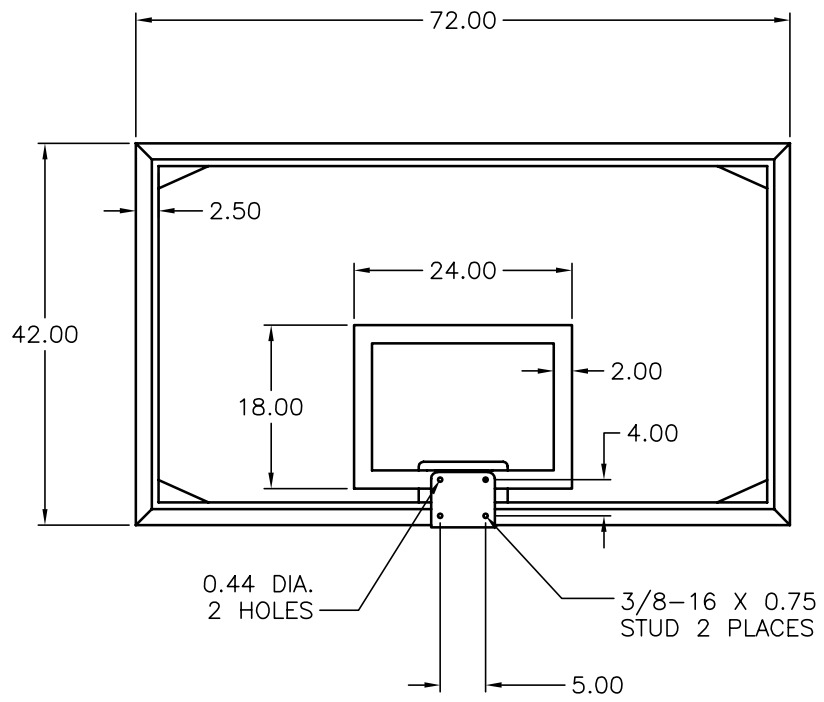
REVISION		
REV.	DATE	BY
A	12/01/03	JUC



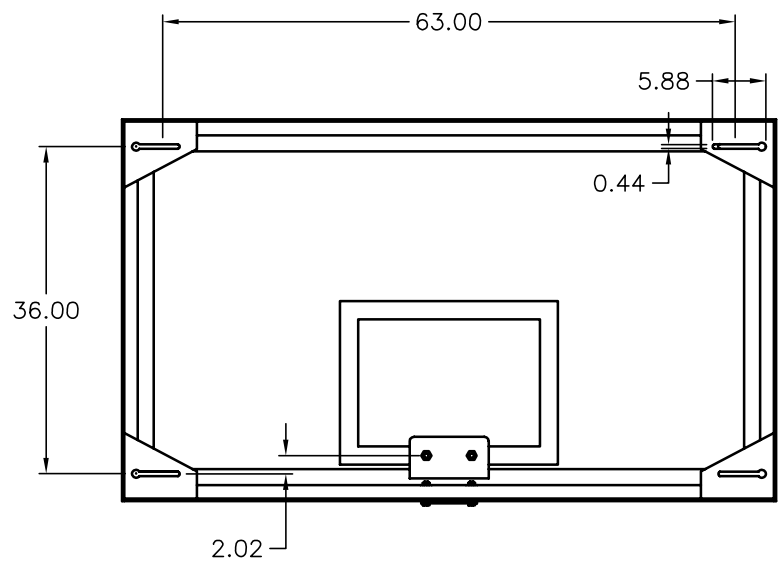
GARED SPORTS, INC

9200 E. 146th St.
Noblesville, IN 46060

<p>THIS DOCUMENT CONTAINS TRADE SECRET AND OTHER MATERIALS WHICH ARE PROTECTED BY CONFIDENTIALITY NOTICE AND AGREEMENT AND BY COPYRIGHT. ANY USE OR COPYING OF THIS DOCUMENT EXCEPT AS AUTHORIZED BY GARED SPORTS, INC. IS STRICTLY PROHIBITED.</p>			
<p>TITLE: 42" STEEL FRAME GLASS BACKBOARD</p>			
DRAWN	CONNERLEY	DATE	5/02/03
APPROVED	JUC	DATE	5/02/03
FILE LOC.	M:\SPECIFICATIONS\BACKBOARDS AND GOALS		
SIZE	SCALE	SHT. NO.	DWG. NO.
A	NONE	1 OF 1	LXP4200
REV			
A			



FRONT VIEW



REAR VIEW

NOTE:

- BACKBOARD THICKNESS - 2.125 INCHES
- MATERIAL - 0.50 THICK TEMPERED GLASS
- STEEL FRAME
- FINISH - GRAY POWDERCOAT ON FRAME & OTHER STEEL COMPONENTS