



GARED SPORTS MODEL RG (948)

STEEL FRAME 72" X 48" RECTANGULAR GLASS BACKBOARD

The RG backboard shall be fabricated with a steel frame constructed of formed steel angles, formed and fastened together and connected with heavy gauge steel mounting brackets to reinforce corners. Manufacturer of backboard shall have over ten years experience producing such item. Backboard shall meet NCAA and high school requirements.

Entire frame and components shall be powder coated with a durable neutral gray finish. Shock insulating pads shall be used between steel goal mounting plate and glass to protect board against possible breakage.

Glass shall be ½" in thickness and fully tempered with white border and target lines permanently fused onto surface. Vinyl shock absorbing material shall insulate glass from frame. Goal mounting holes shall be on standard 5" horizontal and 5" vertical centers.

ACCESSORIES

RECOMMENDED GOAL(S)

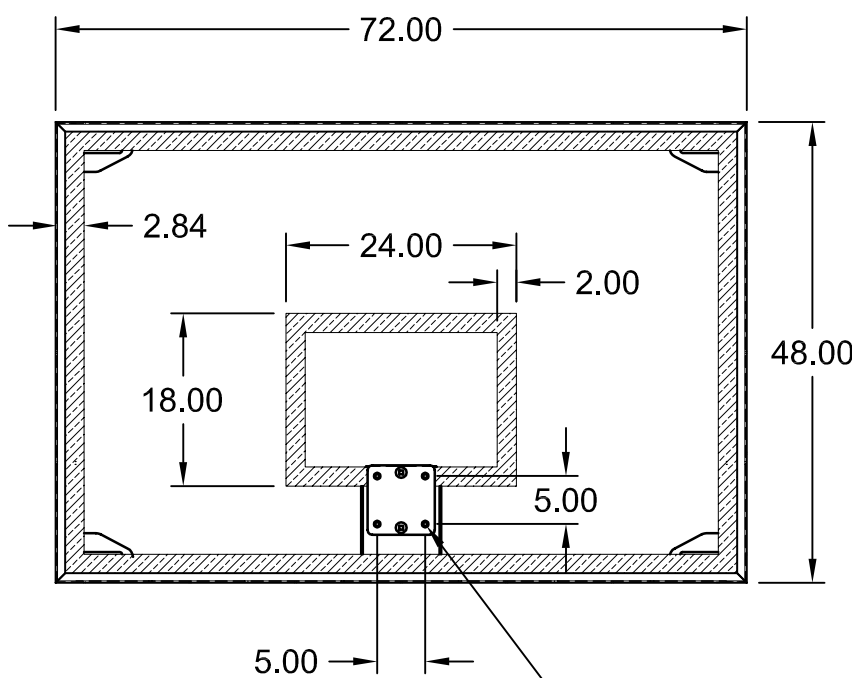
Breakaway with positive lock mechanism, 2000+ Collegiate (806)
Regular breakaway, 1000 Scholastic (829)
Regular Stationary, 39WO Institutional (801)
Heavy duty Stationary, 240 Super Goal (845)

BANK PADDING

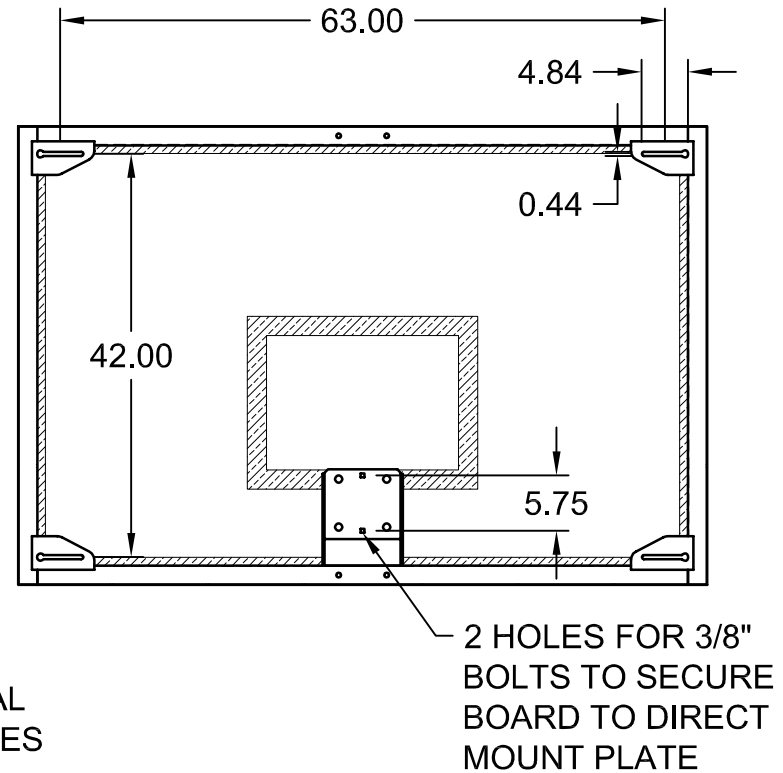
See accessories section in Gared Sports specification manual.

NOTE:

BACKBOARD THICKNESS - 2.25 INCHES
 MATERIAL - 0.50" THICK TEMPERED GLASS
 FULLY WELDED TUBULAR STEEL FRAME
 FINISH - GRAY POWDERCOAT ON FRAME & OTHER STEEL COMPONENTS



FRONT VIEW



REAR VIEW

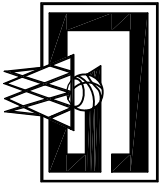
Ø0.44 DIA. GOAL MOUNTING HOLES

2 HOLES FOR 3/8" BOLTS TO SECURE BOARD TO DIRECT MOUNT PLATE

THIS DOCUMENT CONTAINS TRADE SECRET AND OTHER MATERIALS WHICH ARE PROTECTED BY CONFIDENTIALITY NOTICE AND AGREEMENT AND BY COPYRIGHT. ANY USE OR COPYING OF THIS DOCUMENT EXCEPT AS AUTHORIZED BY GARED SPORTS IS STRICTLY PROHIBITED.

48" WELDED STEEL FRAME GLASS BACKBOARD

DRAWN CONNERLEY	DATE 12/01/06	MATERIAL N/A
APPROVED CONNERLEY	DATE 12/01/06	FINISH N/A
FILE LOC. Q:\Final Release\Specifications	DWG. NO. RG-001	REV -
SIZE A	SCALE NONE	SHT. NO. 1 OF 1
PART NO. RG		



GARED SPORTS

9200 E. 146th St. Noblesville, IN 46060

REV.	DATE	BY	REVISION
-	-	-	