

Isolate the power supply at the consumer unit circuit breaker. Verify that the power is off.

**These products must be installed in accordance with the latest building regulations.
Contact a qualified electrician if in any doubt.**

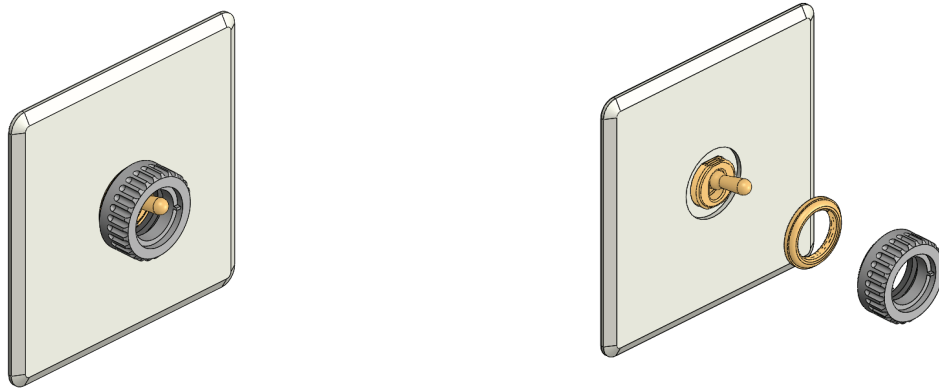
Fitting

Avoid fitting electrical fittings to wet plaster or paint. The wall surface around the mounting box should be fully finished and in excellent condition to give best results.

Check that the mounting box type is suitable for the electrical components, and that the mounting lugs are in the correct position for the fitting. The mounting box should be flush to the wall, without a flange or lip. A 35 or 45mm deep mounting box is recommended. 45mm boxes are available on the Corston website.

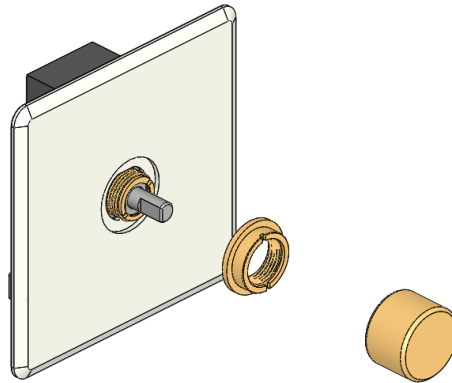
Light Switch Fitting (Screwless)

The component is supplied assembled with fixings in place. Light switches have a retaining ring which needs to be un-screwed to remove the front plate. Remove the Toggle retaining ring by using the tool supplied with your order. -Press the tool into the ring and rotate, so that the washer grips by friction.

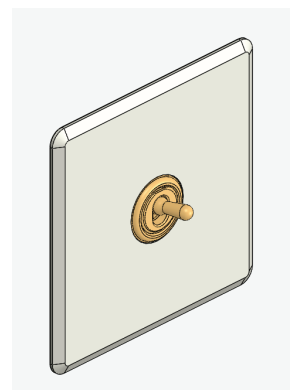
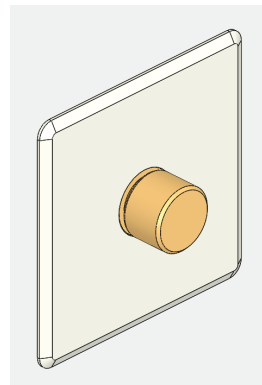
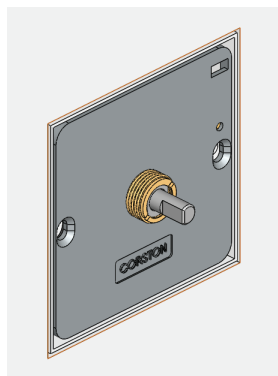
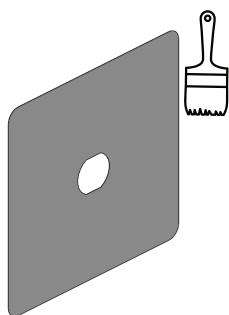


For Dimmer switches, pull off the dimmer knob. Then unscrew the retaining ring by hand or gently using a flat blade screwdriver.

Remove the front plate (and paper for Perspex versions) If fitting Perspex plates, paint the paper with two coats of the chosen wall paint. Or use the template to cut wallpaper if wallpaper is the final finish. Connect the component to the wiring circuit.

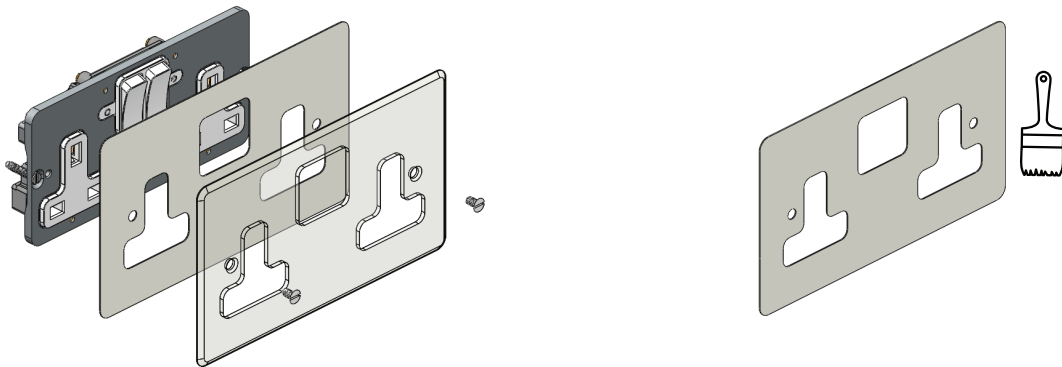


Fit the front plate using the supplied tool to grip the toggle collar, and check the tension to hold the switch in place. If too loose or too tight, remove the front plate and adjust the chassis screws. Do not over tighten the front plate, which could lead to deformation. If fitting a dimmer, finally line up the flat surface on the module to the knob and press home firmly.

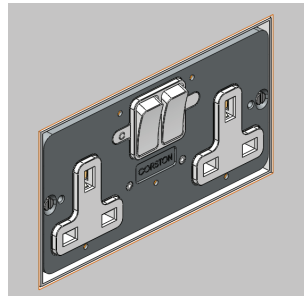


Socket & modular unit fitting

The component is supplied assembled with fixings in place. Un-screw and remove the front plate (and paper for Perspex versions) If fitting Perspex plates, paint the paper with two coats of the chosen wall paint. Or use the template to cut wallpaper if wallpaper is the final finish. Connect the component to the wiring circuit

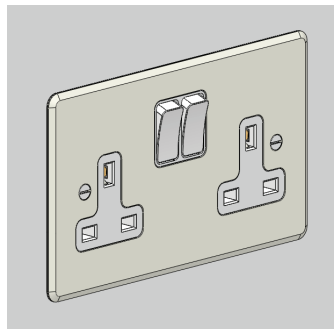


Screw the finished silver coloured chassis into the mounting box until the component sits flush with the wall surface. It is important to get this level correct, so that the front plate creates the correct tension with the wall when it is fitted.



Screw the front plate to the electrical component, (including the paper layer with Perspex versions)

The tension of the front plate should hold the switch in place against the wall. If too loose or too tight, remove the front plate and adjust the chassis screws. Do not over tighten the front plate, which could lead to deformation.

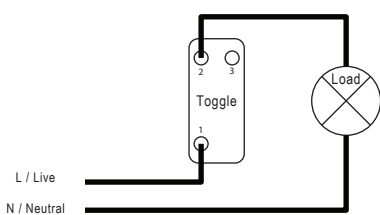


Example wiring diagrams have are shown for common installations. Consult an electrician if in any doubt.

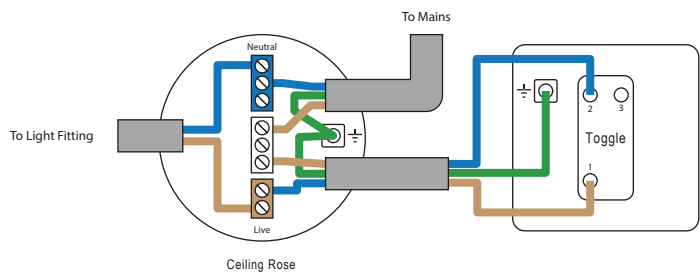
Retractive switches must be used when switches are used with a digital dimmer on the same circuit

Connect the wiring as shown in the diagrams below, for each type of installation. When finished there should be no exposed wire. The connections should be secure and tight. Earth sheathing should be used on any exposed earth wire. The switch assembly should push back into the mounting box without forcing or trapping any wires.

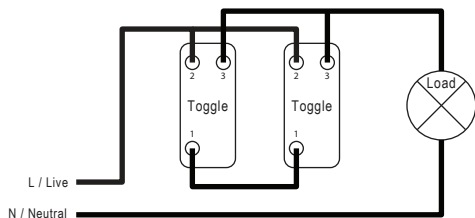
Toggle switch 1 way Diagram



Toggle switch 1 way actual wiring example



Toggle switch 2 way Diagram



Toggle switch 2 way actual wiring example

